

This is a self-archived version of an original article. This version may differ from the original in pagination and typographic details.

Author(s): Heinilä, Lassi Matti Petteri; Fewer, David Peter; Jokela, Jouni Kalevi; Wahlsten, Matti; Ouyang, Xiaodan; Permi, Perttu; Jortikka, Anna; Sivonen, Kaarina

Title: The structure and biosynthesis of heinamides A1–A3 and B1–B5, antifungal members of the laxaphycin lipopeptide family

Year: 2021

Version: Published version

Copyright: © 2021 The Royal Society of Chemistry

Rights: CC BY 3.0

Rights url: <https://creativecommons.org/licenses/by/3.0/>

Please cite the original version:

Heinilä, L. M. P., Fewer, D. P., Jokela, J. K., Wahlsten, M., Ouyang, X., Permi, P., Jortikka, A., & Sivonen, K. (2021). The structure and biosynthesis of heinamides A1–A3 and B1–B5, antifungal members of the laxaphycin lipopeptide family. *Organic and Biomolecular Chemistry*, 19(25), 5577-5588. <https://doi.org/10.1039/D1OB00772F>



Cite this: DOI: 10.1039/d1ob00772f

The structure and biosynthesis of heinamides A1–A3 and B1–B5, antifungal members of the laxaphycin lipopeptide family†

Lassi Matti Petteri Heinilä,^a David Peter Fewer,^a Jouni Kalevi Jokela,^a Matti Wahlsten,^a Xiaodan Ouyang,^a Perttu Permi,^{b,c} Anna Jortikka^a and Kaarina Sivonen^a*

Laxaphycins are a family of cyclic lipopeptides with synergistic antifungal and antiproliferative activities. They are produced by multiple cyanobacterial genera and comprise two sets of structurally unrelated 11- and 12-residue macrocyclic lipopeptides. Here, we report the discovery of new antifungal laxaphycins from *Nostoc* sp. UHCC 0702, which we name heinamides, through antimicrobial bioactivity screening. We characterized the chemical structures of eight heinamide structural variants A1–A3 and B1–B5. These variants contain the rare non-proteinogenic amino acids 3-hydroxy-4-methylproline, 4-hydroxyproline, 3-hydroxy-D-leucine, dehydrobutyrine, 5-hydroxyl β-amino octanoic acid, and *O*-carbamoyl-homoserine. We obtained an 8.6-Mb complete genome sequence from *Nostoc* sp. UHCC 0702 and identified the 93 kb heinamide biosynthetic gene cluster. The structurally distinct heinamides A1–A3 and B1–B5 variants are synthesized using an unusual branching biosynthetic pathway. The heinamide biosynthetic pathway also encodes several enzymes that supply non-proteinogenic amino acids to the heinamide synthetase. Through heterologous expression, we showed that (2*S*,4*R*)-4-hydroxy-L-proline is supplied through the action of a novel enzyme LxaN, which hydroxylates L-proline. 11- and 12-residue heinamides have the characteristic synergistic activity of laxaphycins against *Aspergillus flavus* FBCC 2467. Structural and genetic information of heinamides may prove useful in future discovery of natural products and drug development.

Received 21st April 2021,
Accepted 29th May 2021
DOI: 10.1039/d1ob00772f

rsc.li/obc

Introduction

Cyanobacteria produce a wide range of bioactive natural products with unusual structures and potent bioactivity.^{1,2} Knowledge of natural product chemical structures and biosynthetic mechanisms can facilitate their use in the pharmaceutical industry as new active compounds^{3–5} and provide insights into their ecological role.⁶ Laxaphycins are cyanobacterial natural products with two distinct macrocycles, 11- and 12-residue types, which act in synergy to produce antiproliferative and antifungal activities.^{7,8} Laxaphycins include characteristic non-proteinogenic amino acids, including 3-hydroxy-D-leucine (OHLeu), 3-hydroxy-D-asparagine (OHAsn), dehydrobu-

tyrinate (Dhb), and (2*S*,4*R*)-4-hydroxyproline ((2*S*,4*R*)-4-OHPro).^{9,10} Altogether 17 variants of 11-residue laxaphycins and 23 variants of 12-residue laxaphycins have been described from a broad range of cyanobacteria (Table S1†). Although 11- and 12-residue types are both found in most producer strains, there are reports of strains for which only one type of the compound is reported.^{11,12}

In an earlier study, we described the biosynthetic pathway of scytonemides, which belong to the laxaphycin peptide family.¹⁰ This pathway includes a shared initiating fatty-acyl AMP ligase (FAAL) and a polyketide synthase (PKS) module that branches with two non-ribosomal peptide synthetase (NRPS) pathways to produce the two distinct 11- and 12-residue compounds.¹⁰ Scytonemides are produced by *Scytonema hofmannii* PCC 7110.

The aim of this study was to identify and describe new antifungal compounds from cyanobacteria. Members of the genera *Candida* and *Aspergillus* can cause invasive infections in humans, typically in immunocompromised patients.^{13,14} Only a few chemical families of antimicrobials are currently used to treat fungal infections, and fungal resistance to these

^aDepartment of Microbiology, Faculty of Agriculture and Forestry, University of Helsinki, Helsinki, Finland. E-mail: kaarina.sivonen@helsinki.fi

^bDepartment of Chemistry, University of Jyväskylä, Jyväskylä, Finland

^cDepartment of Biological and Environmental Science, Nanoscience Center, University of Jyväskylä, Jyväskylä, Finland

† Electronic supplementary information (ESI) available. See DOI: 10.1039/d1ob00772f



compounds is growing.^{13–15} Cyanobacteria are known producers of antifungal compounds such as laxaphycins, hassallidins, nostofungicidine, and cryptophycins, which could be used as antifungal drug leads.^{7,16–19}

Here, we identified novel members of the laxaphycin family of natural products, heinamides, through bioactivity-guided fractionation of *Nostoc* sp. UHCC 0702 extracts. Heinamides have antifungal activity that inhibit the growth of *Aspergillus flavus* FBCC 2467 with synergistic effect between 11- and 12-residue type heinamides. We describe the chemical structures of heinamides A1–A3 and B1–B5 and identified the heinamide biosynthetic pathway. While the biosynthetic pathway is generally similar to the previously described scytocyclamide pathway, the differences provide a broader view of the laxaphycin biosynthesis pathways. The heinamide biosynthetic pathway encodes enzymes for the production of the unusual amino acids (2*S*,4*R*)-4-OHPro and 3-hydroxy-4-methylproline (OHMePro), which appear in heinamide structures. The action of the proline hydroxylase LxaN from *Nostoc* sp. UHCC 0702 was shown through heterologous expression. A homolog of LxaN was found also in the genome of *S. hofmannii* PCC 7110, a producer of scytocyclamides, which also contain (2*S*,4*R*)-4-OHPro.

Experimental

Strains

Cyanobacterial strains used in this study were *Nostoc* sp. UHCC 0702, isolated from the Finnish freshwater lake Villälähteen Kukkanen (60°57'19.4"N 25°53'02.4"E) in 19.8.2013, and *S. hofmannii* PCC 7110, which originated from a limestone cave in Bermuda.

Antimicrobial screening

Nostoc sp. UHCC 0702 was grown in 250 mL of Z8 medium at 20–21 °C with photon irradiation of 15 $\mu\text{mol m}^{-2} \text{s}^{-1}$. Erlenmeyer flasks of 500 mL were used with 250 mL of medium, with constant sterilized air bubbling for 3–5 weeks. The biomass was collected by decanting excess media and centrifugation at 8000*g* for 5 min. The biomass was frozen at –80 °C and freeze-dried with a CHRIST BETA 2–8 LSC plus freeze drier with a LYO CUBE 4–8 chamber. A total of 100 mg of freeze-dried *Nostoc* sp. UHCC 0702 biomass was extracted with 1 mL of methanol and glass beads (0.5 mm glass beads, Scientific Industries Inc, USA) using a FastPrep cell disrupter at 6.5 m s^{-1} two times for 25 s with a resting time of 5 min between runs. The samples were centrifuged at room temperature at 8000*g* for 5 min. The supernatant was collected and extraction of the biomass was repeated with 1 mL of methanol. The 2 mL combined supernatant was stored at –20 °C.

Antimicrobial activity screening was performed using 17 strains of fungi and bacteria (Table S2†). A total of 50 μL of cell extract, 50 μL of methanol (negative control) and 10 μL nystatin (5 mg mL^{-1} , Nystatin, *Streptomyces noursei*, EMD Millipore Corp, Germany) or 10 μL ampicillin (50 mg mL^{-1} in 70% ethanol, Ampicillin sodium salt, Sigma, Israel) were

placed directly on the agar surface prior to inoculation with an indicator strain. Nystatin was used as a positive control for fungal assays while ampicillin was used as a positive control for bacterial assays. Solvents of the extract and controls were allowed to evaporate, leaving the solids diffused in the agar. Inoculant was prepared by growing fungi for 2–14 days on potato dextrose agar (PDA) media at 28 °C and bacteria for 2 days on brain heart infusion (BHI) agar at 37 °C. Inoculant cell mass was transferred with a cotton swab from the agar to 3 mL of sterile 5 M NaCl solution, or sterile water in the case of *A. flavus*. Solution was spread on the assay plate with a fresh cotton swab. Fungal plates were incubated at 28 °C and bacterial plates at 37 °C for 2 days and examined for the presence of inhibition zones.

Disc-diffusion assays were performed with purified heinamide for more quantitative analysis of bioactivity. Paper discs (Blank monodiscs, Abtek biologicals Ltd, UK) were prepared with methanol solutions of the peptides, methanol as negative control, and nystatin as positive control. *A. flavus* inoculum was prepared as previously and spread on the plate. Disks were placed on agar, the plates were incubated at 28 °C for 2 days, and examined for the presence of inhibition zones.

Purification of heinamides

Mass cultures were grown in modified Z8 medium without added nitrogen at 20–21 °C with photon irradiation of 15 $\mu\text{mol m}^{-2} \text{s}^{-1}$. Five-liter Erlenmeyer flasks were used with 2.7 L of medium, with constant sterilized air bubbling for 3–5 weeks. Cells were collected by decanting excess media and centrifugation at 8000*g* for 5 min. The cells were frozen at –80 °C and freeze-dried as described earlier.

A total of 30 mL of methanol was used per 1 g of dry cells. Cells were homogenized with a Heidolph Silentcrusher M at 20 000 rpm for 30 s. The solution was centrifuged 10 000*g* for 5 min and supernatant was collected. The extraction was repeated with 30 mL of methanol using the cell pellet. Chomatorex (Fuji-Davison Chemical Ltd, Aichi, Japan) chromatography silica ODS powder (10 mL) was added to the supernatant pool and the mixture was dried with a rotary evaporator Büchi Rotavapor R-200 at 30 °C. Solid phase extraction (SPE) was performed with Phenomenex SPE strata SI-1 silica 5 g per 20 mL column, preconditioned with 20 mL isopropanol and 20 mL of heptane. Silica ODS powder with the dry extract was added on top of the column and extracted with heptane, ethyl acetate, acetone, acetonitrile, and methanol, 40 mL each, with every fraction collected individually. Fractions were dried with a nitrogen gas flow and re-dissolved in 1 mL of methanol for bioactivity assays.

The active methanol fraction was further fractionated with an Agilent 1100 Series liquid chromatograph with Phenomenex Luna C18(2) (150 × 10 mm, 100 Å) column. Sample was injected in 100 μL batches and eluted with acetonitrile/isopropanol 1 : 1 (solvent B) and 0.1% HCOOH (solvent A) with initial isocratic stage of 40% solvent B in A for 15 min, followed by a linear gradient of solvent B from 40% to 100% in 10 min with a flow rate of 3 mL min^{-1} . Four heinamide frac-



tions were collected, dried with nitrogen flow, and weighed. Fraction 1 contained heinamides B1 and B2 (1 : 1), fraction 2 contained heinamide B1, fraction 3 contained heinamides A1, B3, and B4 (7 : 2 : 1) and fraction 4 contained heinamide A2. To further separate the products, fraction 3 was treated with an additional HPLC run with isocratic conditions of 41% solvent B in solvent A for 30 min with flow rate of 3 mL min⁻¹ using the same column. Fraction 3 was thus separated to fractions 3a and 3b containing heinamides B3 + B4 and A1, respectively. Heinamides A3 and B5 were not purified due to low production levels.

Amino acid analysis

To elucidate the stereochemistry of the eight heinamide structural variants, amino acid analysis was performed with the Marfey method as described before²⁰ with the isolated heinamides A1–A2 and B1–B4. The reagents 1-fluoro-2,4-dinitrophenyl-5-L-alanine amide (FDAA), 1-fluoro-2,4-dinitrophenyl-5-L-leucine amide (L-FDLA), and fluoro-2,4-dinitrophenyl-5-D-leucine amide (D-FDLA) were used with reference amino acids L-Ser, D-Ser, L-Hse, D-Hse, L-Glu, D-Glu, L-Thr, D-Thr, L-Val, D-Val, D-Pro, L-Pro, L-Tyr, D-Tyr, D-*allo*-Thr, L-Leu, D-Leu, L-Ile, D-Ile, D-*allo*-Ile, L-*allo*-Ile, D-Phe, L-Phe, (2*S*,4*S*)-4-hydroxy-Pro, (2*R*,4*S*)-4-hydroxy-Pro, (2*S*,4*R*)-4-hydroxy-Pro, L-Ser, D-Ser, (Sigma, Switzerland), *N*-methyl-L-Ile (hydrochloride, ABCR, Germany), L-*allo*-Thr (ICN Biomedicals, USA), (2*R*,4*R*)-4-hydroxy-Pro (Aldrich, USA), and (3*S*)- and (3*R*)-3-amino octanoic acid (ABCR, Germany).

Amino acid feeding experiment

Nostoc sp. UHCC 0702 and *S. hoffmannii* PCC 7110 were cultivated in the presence of different Pro variants and hypothesized OHMePro synthesis intermediates to investigate if they are incorporated in the laxaphycin structures. *Nostoc* sp. UHCC 0702 was grown on Z8 media and *S. hoffmannii* PCC 7110 was grown on Z8 media without added nitrogen. The media were modified by adding (2*S*,4*S*)-4-methyl-proline, (2*R*,4*R*)-4-methyl-proline, (2*S*,4*R*)-4-methyl-proline, (ABCR, Germany), (2*S*,4*S*)-4-hydroxyproline (Sigma, USA), (2*S*,4*R*)-4-hydroxyproline (Sigma, Japan), or L-Leu (Sigma, Switzerland) to concentrations of 10 μM. Racemic OHLeu was used at 40 μM concentration. Unaltered medium was used in control cultivation. Three replicates of each cultivation were grown and analyzed. The bacteria were grown in 100 mL Erlenmeyer flasks in 40 mL of medium for 17 days at 20–21 °C with photon irradiation of 15 μmol m⁻² s⁻¹. Cells were collected by centrifugation at 8000g for 5 min. Cells were frozen to –80 °C and freeze-dried. Freeze-dried biomass was weighed and extracted with 0.5 mL methanol and glass beads (0.5 mm glass beads, Scientific Industries Inc, USA) using a FastPrep cell disrupter two times for 25 s at a speed of 6.5 m s⁻¹. Samples were centrifuged at room temperature at 10 000g for 5 min and supernatant was collected for LC-MS analysis.

Stable isotope labeling

Nostoc sp. UHCC 0702 was labelled with ¹⁵N in a nitrogen-free atmosphere in Z8 growth medium containing ¹⁵N-urea as the

sole source of nitrogen. The medium was bubbled with nitrogen-free argon with 20.9% O₂ and 0.45% CO₂ (quality 5.7; AGA Gas Ab, Sweden). The strain was grown for 21 days at 20 °C under photon irradiation of 15 μmol m⁻² s⁻¹. The biomass was collected and freeze dried. A total of 100 mg of the dried cells were extracted with methanol as described earlier and analyzed with LC-MS.

LC-MS

Freeze-dried bacterial cells were extracted with methanol as described earlier. Extracts and isolated heinamide fractions dissolved in methanol were analyzed with UPLC-QTOF (Acquity I-Class UPLC-SynaptG2-Si, Waters Corp., Milford, MA, USA) equipped with a Kinetex® C8 column (2.1 × 50 or 100 mm, 1.7 μm, 100 Å, Phenomenex, Torrance, CA, USA) injected with 0.5 or 1 μL of sample and eluted at 40 °C with 0.1% HCOOH in water (solvent A) and acetonitrile/isopropanol (1 : 1, +0.1% HCOOH, solvent B) at a flow rate of 0.3 mL min⁻¹. Different solvent gradients were used (Table S3†).

QTOF was calibrated using sodium formate and Ultramark® 1621, which gave a calibrated mass range from *m/z* 91 to 1921. Leucine Enkephalin was used at 10 s intervals as a lock mass reference compound. Mass spectral data were accumulated in positive electrospray ionization resolution mode. In MS/MS mode, Trap Collision Energy Ramp proceeded from 40.0 eV to 70.0 eV.

NMR spectroscopy

NMR spectra were obtained using a Bruker Avance III HD 800 MHz NMR spectrometer equipped with the TCI ¹H, ¹³C, ¹⁵N triple resonance cryoprobe. Data were collected at 30 °C in DMSO-d₆. In addition to ¹H and broadband-decoupled ¹³C experiments, we employed two-dimensional TOCSY (TOtal Correlation Spectroscopy), DQF-COSY (Double Quantum Filtered CORrelation Spectroscopy), and EASY-ROESY (Efficient Adiabatic SYmmetrized Rotating-frame Overhauser Effect Spectroscopy)²¹ experiments, and ¹³C HSQC, ¹⁵N HSQC, edited ¹³C HSQC (heteronuclear Single Quantum Coherence), and ¹³C HMBC (Heteronuclear Multiple Bond Correlation) experiments for the assignment of ¹H, ¹³C, and ¹⁵N chemical shifts. The 2D TOCSY was acquired with isotropic mixing time of 60 ms (10 kHz RF field). The mixing time for 2D ROESY experiment was 200 ms (RF field strength 4 kHz). For observing long-range H–C connectivities, the ¹³C HMBC experiment was measured using ⁿJ_{CH} transfer time optimized for 8 Hz couplings. NMR experiment parameters are presented in Table S4.†

Genome sequencing and gene cluster analysis

Cultures were grown in 250 mL of modified Z8 medium lacking a source of combined nitrogen at 20–21 °C with photon irradiation of 15 μmol m⁻² s⁻¹. Half-liter Erlenmeyer flasks were used with 250 mL of medium, with constant sterilized air bubbling for 3 weeks. The fresh *Nostoc* sp. UHC 0702 cells were disrupted by bead beating in GOS buffer and DNA was extracted with the phenol–chloroform method as previously described.²⁰ Sequencing of the extracted DNA was per-



formed with PacBio RSII and MGI DBNSeq-G400 sequencing and assembled with HGAP3 (smrtportal 2.3.0).

The *Nostoc* sp. UHCC 0702 complete genome data was analyzed with AntiSMASH 5.0²² and AntiSMASH 4.1²³ to identify the *lxa* biosynthetic gene cluster. BLASTp and CDD database searches were used to assign a predicted function to the proteins encoded in the *lxa* biosynthetic gene clusters from the *Nostoc* sp. UHCC 0702 and *S. hoffmannii* PCC 7110 genomes. The condensation domain of LxaC1₃ was analyzed with Natural Product Domain Seeker (NapDoS)²⁴ and compared with other known Dhb-related condensation domains LxaC1₃, HasO₂, NdaA₁, and PuwF₂, which are involved in the biosynthesis of scytocyclamides,¹⁰ hassalladins,²⁵ nodularins,²⁰ and puwainaphycins,²⁶ respectively.

Heterologous expression of *lxaN* gene

The function of LxaN, a putative proline 4-hydroxylase, was tested through heterologous expression in *Escherichia coli* BL21(DE3). LxaN was expected to hydroxylate available Pro in the *E. coli* cells. Plasmid constructs with the *lxaN* gene were prepared and transformed to *E. coli*, and amino acid analysis was performed to detect 4-OHPro in the transformed cells.

Genomic DNA was extracted from *Nostoc* sp. UHCC 0702 as previously described. The *lxaN* gene was amplified by PCR with primers LxaN-F (5'-gtgggtgctcgcagtgccgcaTTAAATAAGAACTTTGTCCAATAG-3') and LxaN-R (5'-ggacagcaaatgggtcgcgcatcgcgATGTCCTATACCAATCAAAC-3'). The vector pET28a (+) was digested with restriction enzymes EcoRI and HindIII (Promega, USA). The *lxaN* gene was inserted into pET28a (+) using the NEBuilder® HiFi DNA Assembly Cloning Kit (New England BioLabs, USA) to create plasmid pET28a-LxaN. To allow inducible expression, the *lxaN* gene was placed behind a T7 promoter and lac operator. The plasmid pET28a-LxaN was transformed into *E. coli* BL21 (DE3). A negative control was prepared by transforming an empty pET28a plasmid into *E. coli* BL21 (DE3). Clones were selected by using LB agar plates containing 50 µg mL⁻¹ kanamycin, 1 g 100 mL⁻¹ arabinose, and 1 g 100 mL⁻¹ glucose. Three transformants and a negative control were transferred to liquid LB medium with 50 µg mL⁻¹ kanamycin and 1 g 100 mL⁻¹ glucose and incubated at 37 °C overnight with shaking (170 rpm). Aliquots of these primary cultures were used to inoculate 10 mL of fresh LB medium supplemented with selective antibiotics, 1 g 100 mL⁻¹ arabinose, and 1 g 100 mL⁻¹ glucose. The cultures were incubated at 37 °C with shaking at 170 rpm until OD₆₀₀ of 0.6 was achieved. The cultures were induced with 0.1 mM isopropyl β-D-1-thiogalactopyranoside (IPTG) and incubated at 18 °C for 48 h with shaking (200 rpm).

Biomass was collected from the growth culture by centrifugation and the supernatant was discarded. The biomass was frozen at -80 °C in screw-cap tubes. To extract biomass, 200 µL of 0.5 mm glass beads (Scientific Industries Inc, USA) and 1 mL 100% methanol were added into the tube. The mixture was homogenized by using Fastprep-24 twice for 20 seconds at a speed of 6 m s⁻¹. Cell debris was pelleted by centrifugation at 13 400g for 5 min. Supernatant was transferred into new tubes and dried with nitrogen gas flow. Amino acid

analysis was performed with Marfey's method as previously described with UPLC-QTOF mass spectrometry,²⁰ using reference amino acids (2*S*,4*S*)-4-hydroxyproline, (2*S*,4*R*)-4-hydroxyproline, (2*R*,4*S*)-4-hydroxyproline (Sigma, Switzerland), and (2*R*,4*R*)-4-hydroxyproline (Aldrich, USA).

Results

Antimicrobial screening

A methanol extract of *Nostoc* sp. UHCC 0702 inhibited the growth of *A. flavus* FBCC 2467. The other tested fungal and bacterial strains were not affected by the extract.

Structure of heinamides

Eight peptides belonging to the laxaphycin family were identified from *Nostoc* sp. UHCC 0702 and named heinamides A1–A3 and B1–B5 (Fig. 1). Heinamides A1–A3 are 11-residue laxaphycins and heinamides B1–B5 are 12-residue laxaphycins. The 11-residue heinamides follow the amino acid sequence Aoa¹-Ser²-Dhb³-((2*S*,4*R*)-4-OHPro/Pro)⁴-Ser⁵-Tyr⁶-Leu⁷-Ile⁸-Phe⁹-((2*S*,4*R*)-4-OHPro/Pro)¹⁰-Gly¹¹; the difference between variants was the hydroxylation of Pro^{4,10}. The 12-residue heinamides have the amino acid sequence (Aoa/5-OH-Aoa)¹-Ile²-OHLeu³-*(O*-carbamoyl-Hse)⁴-Leu⁵-Gln⁶-*(N*-Me-Ile)⁷-OH-Hse⁸-Val⁹-*(O*HMePro/Pro/4-MePro)¹⁰-Tyr¹¹-Thr¹², where the differences between variants is in the hydroxylation of the octanoic acid¹ and hydroxylation and methylation of the Pro¹⁰. The stereochemistry of the compounds is derived from stereospecific amino acid analysis (Table S11†) and NMR.

The methanol extract from *Nostoc* sp. UHCC 0702 was analyzed with UPLC-QTOF to determine the initial heinamide structures. Cultivation on ¹⁵N-containing medium and comparison of the mass data of ¹⁵N-labeled and unlabeled compounds showed the presence of 11 nitrogen atoms in 11-residue heinamides A1–A3 and 14 nitrogen atoms in 12-residue heinamides B1–B5 (Table S5, Fig. S2†). The product ion spectra of protonated heinamides consisted of many evenly intense ions, which is typical for some cyclic peptides (Fig. S3–S6†). The best continuous data for amino acid sequencing started as expected from the amino acids next to the Pro N-terminus (red markings in Fig. S3 and S4†). The structure of heinamides A3, B4 and B5 is proposed solely on the basis of analyses of their LC MS/MS data. The structures assigned by LC-MS were consistent with those assigned using NMR. ¹H, ¹³C, DQF-COSY, TOCSY, EASY-ROESY, ¹³C HSQC, edited ¹³C HSQC, ¹⁵N HSQC, and ¹³C HMBC NMR spectra were obtained from the purified heinamides A2 and B2 and heinamide mixtures A1 : B3 : B4 (7 : 2 : 1) and B1 : B2 (1 : 1). NMR spectra are presented in Fig. S7–S10† and numerical data with COSY, ROESY, and HMBC correlations in Tables S6–S10.† COSY, HMBC, and ROESY uninterrupted correlation chain specified the subunit sequences in both 11-residue (HA A1) and 12-residue (HA B2) heinamides (Fig. S11 and S12†). Heinamide structures were in good agreement with previously described laxaphycin common structural features (Table S1†).



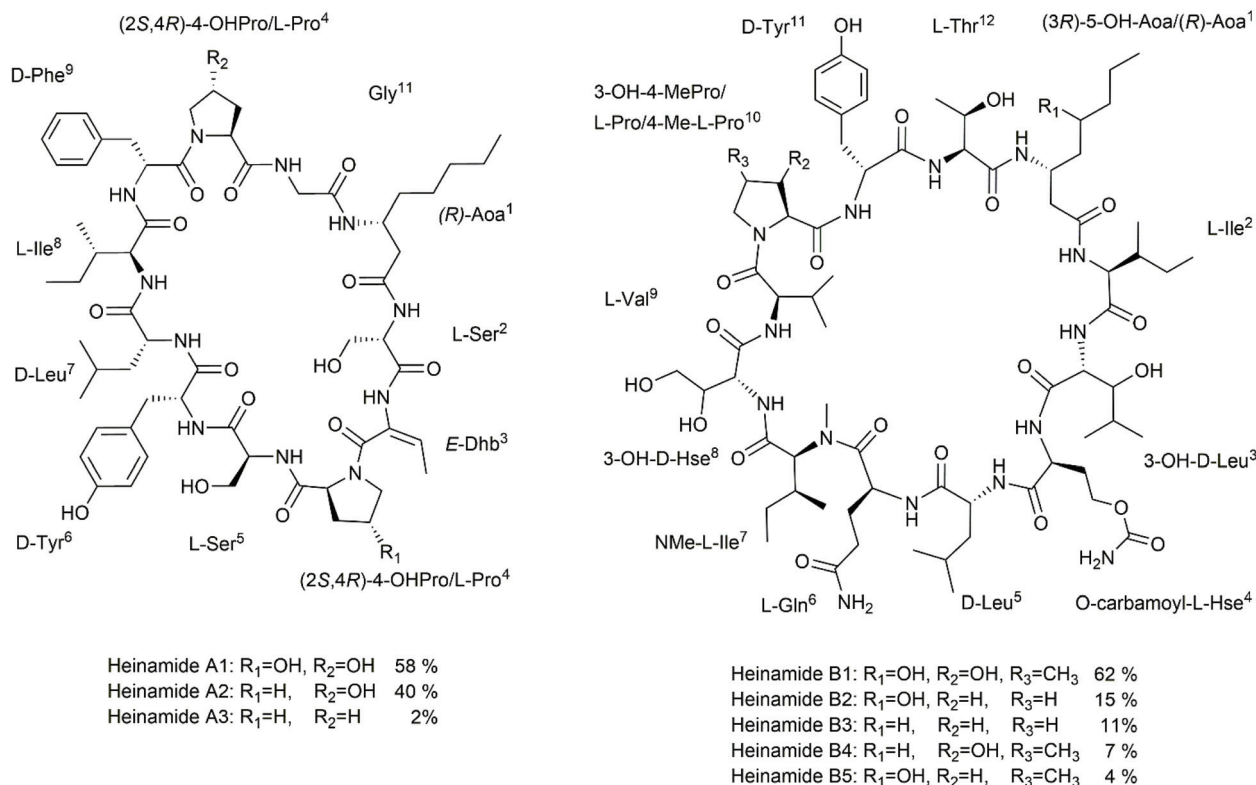


Fig. 1 Chemical structures of heinamides and relative intensities of their MS signals (%), purified from *Nostoc* sp. UHCC 0702.

In heinamides A1–A3, the only new element was (2*S*,4*R*)-4-OHPro or L-Pro in position 10. Two different ppm value sets for 4-OHPro were present for HA A1. In amino acid analysis (2*S*,4*R*)-4-OHPro was the only 4-OHPro enantiomer present of the four possible alternatives (Tables S6 and S11†). More new elements were found in 12-residue heinamides B1–B5. The hydroxy group in the β-amino octanoic acid¹ has not been described earlier in laxaphycins, but COSY, HSQC, and HMBC correlations show the presence of a methine ($\delta_{\text{H}} = 3.46$, $\delta_{\text{C}} = 66.2$ ppm) group in position 5, which is most probably bonded to oxygen in HA B1 (Fig. S9F, I and N and S12†). In many 12-residue laxaphycins, Leu⁵ is hydroxylated but not in heinamides according to NMR (Fig. S9E, L and M†). In previously described 12-residue laxaphycins, the amino acid in position 8 has almost exclusively been 3-OHAsn. However, the amino acid is 3-hydroxy-homoserine in heinamides B1–B5 (Tables S8–S10, Fig. S9 and S10†). Lastly, NMR data showed another Hse is in position 4 in 12-residue heinamides. Furthermore, COSY, HSQC, and HMBC correlations showed that this subunit was actually *O*-carbamoylated (Fig. S9, especially frame O, Tables S8–S10†). Isobaric 3- or 4-OHGln were ruled out as the C3 and C4 were methylenes according the edited ¹³C-HSQC (Fig. S9,† frame I). Product ion spectra of protonated heinamides B1–B5 show the loss of the carbamoyl group as carbamic acid (61.02 Da) until the loss of the *O*-carbamoyl-Hse⁴ subunit itself (Fig. S4–S6†). No 12-residue heinamide without an *O*-carbamoyl group in Hse was found.

Antifungal activity

After fractionation of the extract and identification of the products, disc diffusion assays were performed with the purified compounds. Inhibition of fungal growth was observed with peptides of a single laxaphycin type as a hazy inhibition zone. Synergy was observed between 11- and 12-residue compounds as a clear inhibition zone (Fig. 2).

Predicted heinamide biosynthetic pathway from *Nostoc* sp. UHCC 0702

We sequenced the complete genome of *Nostoc* sp. UHCC 0702 (GenBank accession number CP071065). The genome is a

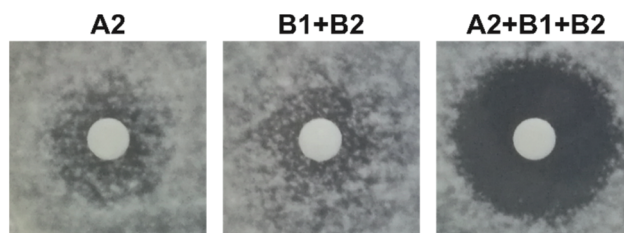


Fig. 2 Inhibition of growth of *Aspergillus flavus* by heinamides. Heinamide A2 (200 μg), heinamide B1 + B2 (200 μg), and heinamide A2 with B1 + B2 (100 μg + 100 μg). A mix of B1 and B2 was used due to imperfect purification of the compounds, with the fraction including both B1 and B2 (1 : 1). Individual compounds exhibit weak inhibition and synergistic activity is seen when combining 11- and 12-residue molecules.



single 8587 404 bp circular chromosome without extrachromosomal elements. Sequence coverage with PacBio RSII was 90x and with MGI DBNSeq-G400 46x. Bioinformatics analysis with AntiSMASH identified 13 putative NRPS/PKS pathways. Comparison with the *S. hoffmannii* PCC 7110 *lxa* biosynthetic gene cluster and chemical structures of the identified heinamides confirmed the presence of a *lxa* biosynthetic gene cluster in *Nostoc* sp. UHCC 0702 (Fig. 3).

The cluster is 93 kb long and encodes 13 open reading frames annotated as ORF1–2, *lxaI1*, *lxaJ1*, *lxaK1*, *lxaA2*, ORF3, *lxaB*, *lxaC1*, *lxaE*, *lxaF*, *lxaG*, and *lxaM* (Fig. 3, Table 1). *lxaC1* is an NRPS with adenylation domain binding pockets matching the amino acid sequence of 11-residue heinamides (Table S12†). *lxaC1* is flanked with PKSs *lxaB* and *lxaE* followed by cupin-like domains *lxaFGM* (Fig. 3, Table 1). The *Nostoc* sp. UHCC 0702 genes *lxaI1*, *lxaJ1*, and *lxaK1* adenylation domain binding pockets match the amino acid sequence of 12-residue heinamides (Fig. 3, Table S12†). The position of epimerase domains in the *lxa* biosynthetic enzymes match the positions of D-amino acids in the elucidated structures (Fig. 1 and 3). Laxaphycin biosynthesis is predicted to be initiated by an activating enzyme *lxaA* with FAAL and ACP domains (Fig. 3). However, such an enzyme was not encoded in the *Nostoc* sp. UHCC 0702 *lxa* biosynthetic gene cluster. Instead, an ACP in the cluster with 41% sequence identity in BLASTp to the ACP domain of LxaA was identified and designated LxaA2 (Fig. 3, Table 1).

The *lxa* biosynthetic gene cluster was missing the essential FAAL domain for the initiation of the pathway and the genes to synthesize the modified amino acids (2*S*,4*R*)-4-OHPro, OHMePro, *O*-carbamoyl homoserine, and an ABC-transporter. The LxaA FAAL domain of *S. hoffmannii* PCC 7110 was used as BLASTp query to search for the initiating domain, and a FAAL with the highest identity was annotated LxaA1 (Fig. 3, Table 1). This gene was located 1.6 Mb upstream from the *lxa* biosynthetic gene cluster (Fig. 3). In *S. hoffmannii* PCC 7110, the LxaA protein includes two domains, a FAAL and an ACP domain (Fig. S16†). Together LxaA1 and LxaA2 act as LxaA (Fig. 3).

We predict that the cupin-like domain proteins LxaF, LxaG, and LxaM hydroxylate Leu³, Hse⁸, and Aoa (Fig. 3). ORF1–3 were found in the gene cluster with no predicted function. Eleven-residue heinamides contain the non-proteinogenic amino acid Dhb³, the dehydration product of Thr. We discovered that the condensation domain LxaC₁₃ groups in the modified AA clade of condensation domains that act in the dehydration of Thr and Ser from the previous module to Dhb or Dha (Fig. S13†). Three putative carbamoyltransferases were found in the genome, but none were assigned to the gene cluster. With the lack of known carbamoyltransferases acting on amino acids, no reliable prediction could be made for the enzyme responsible for the *O*-carbamoylation of Hse.

A set of genes encoding enzymes homologous to genes producing (2*S*,4*S*)-4-methylproline in cyanobacterial metabolites were identified 389 kb downstream from the *lxa* biosynthetic gene cluster (Fig. 3, Table 1). These enzymes are a L-Leu 5-hydroxylase (LxaO), a zinc-binding dehydrogenase (LxaP), and a pyrroline-5-carboxylate reductase (LxaQ) (Fig. 3, Table 1). Flanking *lxaOPQ* were two genes *lxaN* and *lxaR* that encode α -ketoglutarate-dependent oxygenases (Fig. 3, Table 1). LxaN was discovered to have a homolog also in the *S. hoffmannii* PCC 7110 genome 11 kb downstream of the scytocyclamide gene cluster (WP_017742662.1). LxaN enzymes from *Nostoc* sp. UHCC 0702 and *S. hoffmannii* PCC 7110 share 93% amino acid sequence identity. LxaN belongs to the pfam05721 class of oxygenases. We predicted that LxaN hydroxylates L-Pro to (2*S*,4*R*)-4-OHPro found in heinamide and scytocyclamide structures and that LxaR acts in OHMePro production hydroxylating the 3-carbon (Scheme 1). LxaR belongs to the pfam13640 class of α -ketoglutarate-FeII dependent oxygenases known to hydroxylate amino acids.

LxaN of *Nostoc* sp. UHCC 0702 was heterologously expressed in *E. coli* to assess if it hydroxylates L-Pro to (2*S*,4*R*)-4-OHPro. Amino acid analysis performed with Marfey's method showed that a derivatized extract from *E. coli* with the LxaN construct matched the retention time of derivatized (2*S*,4*R*)-4-OHPro (Fig. 4). A control *E. coli* strain without added

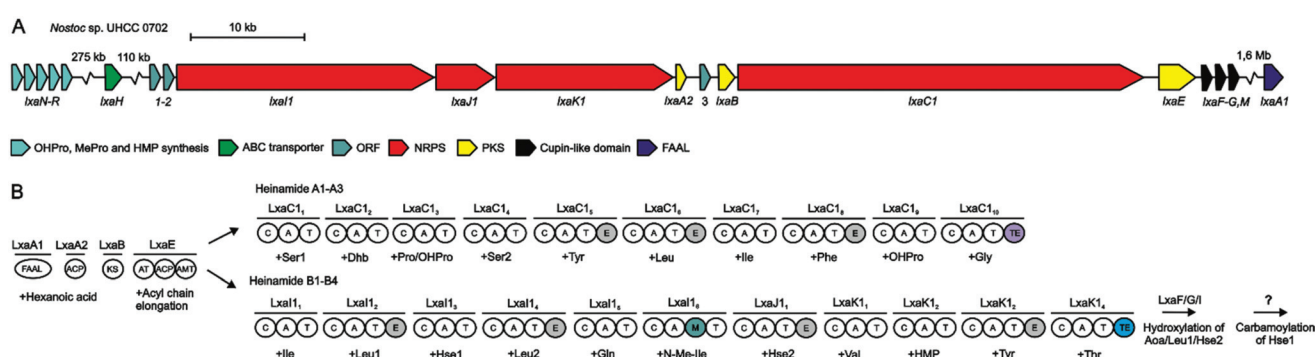


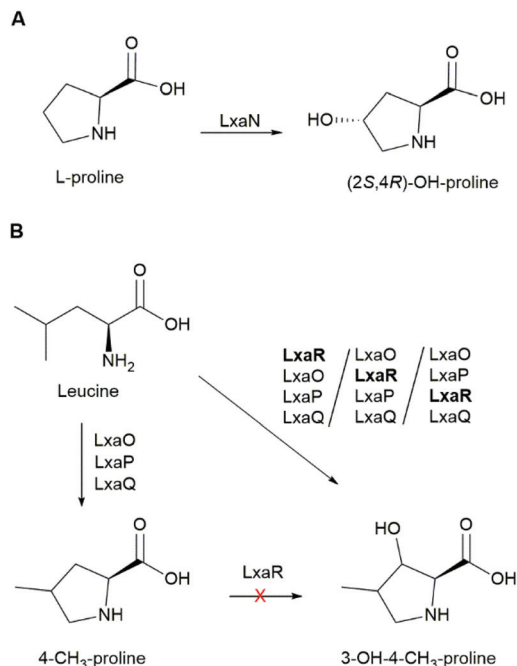
Fig. 3 The laxaphycin (*lxa*) biosynthetic gene clusters and putative biosynthetic scheme in *Nostoc* sp. UHCC 0702. (A) Organization of predicted heinamide biosynthetic genes. (B) Proposed biosynthetic pathway of heinamides. NRPS non-ribosomal peptide synthetase, PKS polyketide synthase, FAAL fatty acyl AMP Ligase, ACP acyl carrier protein, KS ketosynthase, AT acyltransferase, AMT aminotransferase, C condensation domain, A adenylation domain, T thiolation domain, M methylation domain, TE thioesterase domain.



Table 1 Predicted heinamide lxa biosynthetic gene cluster products

Nostoc sp. UHCC 0702		Top blastp hit					
Protein	Accession no.	Length (aa)	Proposed function	Organism	Function	Accession no.	Sequence identity (%)
LxaN	QSI20407.1	271	Pro hydroxylation	<i>Nostoc</i> sp. PA-18-2419	Phytanoyl-CoA dioxygenase	WP_I38506010.1	93
LxaO	QSI20406.1	265	OHMePro synthesis	<i>Nostoc calcicola</i>	Hypothetical protein	WP_073641216.1	87
LxaP	QSI20405.1	368	OHMePro synthesis	<i>Nostoc</i> sp. ' <i>Peltigera membranacea</i> cyanobiont' 210A	Zinc-binding dehydrogenase	WP_094347233.1	97
LxaQ	QSI20404.1	273	OHMePro synthesis	<i>Nostoc</i> sp. ' <i>Peltigera membranacea</i> cyanobiont' 210A	Pyrroline-5-carboxylate reductase	WP_094347234.1	95
LxaR	QSI20403.1	259	OHMePro hydroxylation	<i>Nostoc calcicola</i>	2OG-Fe(II) oxygenase	WP_084177703.1	83
LxaH	QSI20216.1	727	ABC transporter	<i>Nostoc</i> sp. NIES-4103	ABC transporter ATP-binding protein/permease	WP_096559342.1	78
ORF1	QSI20141.1	108	Unknown	<i>Nodularia</i> sp. NIES-3585	Polyketide synthase	WP_089089655.1	75
ORF2	JYQ62_16360 ^a	105	Unknown	<i>Scytonema hofmannii</i> PCC 7110	Polyketide synthase	WP_017742671.1	67 ^a
LxaI	QST87270.1	7826	NRPS	<i>Scytonema</i> sp. UIC 10036	Non-ribosomal peptide synthase/polyketide synthase	WP_155746081.1	63
LxaJ	QSI20140.1	1608	NRPS	<i>Scytonema hofmannii</i> PCC 7110	Non-ribosomal peptide synthetase	WP_066612897.1	70
LxK1	QSI20139.1	5036	NRPS	<i>Scytonema hofmannii</i> PCC 7110	Non-ribosomal peptide synthetase	WP_066612897.1	72
LxaA2	QSI20138.1	89	ACP	<i>Microcystis aeruginosa</i>	Acyl carrier protein	WP_185240878.1	63
ORF3	QSI20137.1	47	Unknown	<i>Bradyrhizobium</i> genosp. B	Cytochrome P450	WP_195799373.1	45
LxaB	QSI20136.1	475	PKS	<i>Scytonema hofmannii</i> PCC 7110	Polyketide synthase	WP_017742671.1	89
LxaC1	QSI20135.1	12487	NRPS	<i>Nostoc flagelliforme</i> CCNUNI	Non-ribosomal peptide synthetase	WP_100898072.1	66
LxaE	QSI20134.1	1196	PKS	<i>Nodularia</i> sp. NIES-3585	Aminotransferase class III-fold pyridoxal phosphate-dependent enzyme	WP_089093801.1	81
LxaF	QSI20133.1	295	Cupin-like domain	<i>Scytonema hofmannii</i> PCC 7110	Cupin-like domain-containing protein	WP_017742676.1	69
LxaG	QSI20132.1	306	Cupin-like domain	<i>Scytonema hofmannii</i> PCC 7110	Cupin-like domain-containing protein	WP_017742677.1	79
LxaM	QSI20131.1	295	Cupin-like domain	<i>Scytonema hofmannii</i> PCC 7110	Cupin-like domain-containing protein	WP_017742677.1	68
LxaA1	QSI18887.1	580	FAAL	<i>Anabaena azotica</i>	AMP-binding protein	WP_190474150.1	79

^a blastx.



Scheme 1 Biosynthesis of (2*S*,4*R*)-4-OHPro and OHMePro. (A) Function of L-proline hydroxylase LxaN. (B) Proposed pathway for OHMePro formation in heinamide biosynthesis. It was not determined if the 3-hydroxylation catalyzed by LxaR occurs before or after the formation of the heterocycle. LxaR does not hydroxylate the 3-carbon of 4-methyl proline.

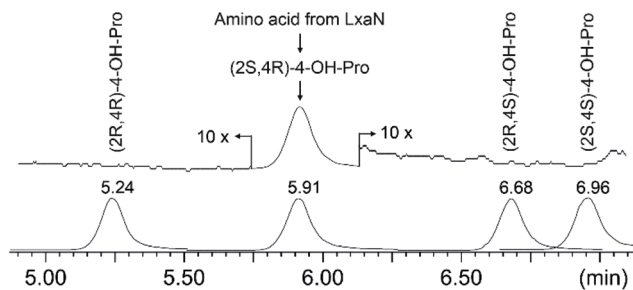


Fig. 4 Amino acid analysis of LxaN construct. Retention times (min) of Marfey-derived (with 1-fluoro-2,4-dinitrophenyl-5-L-alanine amide) reference hydroxyproline amino acids and (2*S*,4*R*)-4-OHPro from *E. coli*-LxaN extract of extracted ion chromatogram peaks from protonated compounds (m/z 384.11 \pm 0.1).

LxaN in transformed vector did not produce a signal in LC-MS with the corresponding mass. This confirms that hydroxylation in (2*S*,4*R*)-4-OHPro was produced by LxaN.

Proline diversity, biosynthesis, and adenylation domain substrate specificity

To obtain more information on laxaphycin biosynthesis, *Nostoc* sp. UHCC 0702 and *S. hofmannii* PCC 7110 were grown on modified media with added amino acids to determine if the selected amino acids are incorporated into the laxaphycin structures. The supplied amino acids were (2*S*,4*S*)-4-methyl-

proline, (2*R*,4*R*)-4-methyl-proline, (2*S*,4*R*)-4-methyl-proline, (2*S*,4*S*)-4-hydroxyproline, (2*S*,4*R*)-4-hydroxyproline, racemic OHLeu, and L-Leu. Changes in product structures and proportions were measured with UPLC-QTOF (Fig. 5). Ten new laxaphycin variants were found from the cells grown on the amino acid supplemented media (Fig. 5 and Fig. S14[†]). Extracted ion chromatograms and product ion spectra of the most abundantly produced heinamides A4 and B5 are presented in Fig. S5, S6, and S15.[†] Heinamides A4, A5, B6 and scytocyclamides A3 and B5–B8 contain 4-MePro instead of (2*S*,4*R*)-4-OHPro, OHMePro, or Pro, which are normally present in these peptides (Fig. 1 and 5 and Fig. S14[†]). Addition of (2*S*)-4-MePro isomers practically prevented the formation of the original heinamide variants. Heinamide B5 is the only 4-Mepro-containing variant that was found among the original heinamide variants (Fig. 5). The added 4-MePro stereoisomers were not hydroxylated but incorporated as such to the structure in (2*S*,4*S*)-4-MePro and (2*S*,4*R*)-4-MePro.

Likewise, new heinamide B7 and scytocyclamide B4 peptides were formed that contained OHPro stereoisomers instead of OHMePro or Pro, but only in small amounts (Fig. S14[†]). This indicates that adenylation domains that normally recognize OHMePro and Pro can recognize 4-MePro much more effectively than OHPro. Adding 4-hydroxyprolines did not result in new 11-residue variants. Feeding with (2*S*,4*R*)-4-OHPro (the stereoisomer naturally present in these laxaphycins) prevented the formation of Pro-containing heinamides A2 and A3 and scytocyclamide A2 so that only (2*S*,4*R*)-4-OHPro-containing variants heinamide A1 and scytocyclamide A were present. Feeding with L-Leu or a racemic mixture of OHLeu did not have any effect on the synthesis of heinamides or scytocyclamides. We tentatively hypothesized that OHLeu or Leu would be intermediates in the biosynthesis of OHMePro. However, supplementing the bacteria with these amino acids did not change OHMePro levels.

Discussion

Twenty-four laxaphycin structures have been described in the literature with antifungal, antiproliferative, and antibacterial activities^{7–12,27–38} (Table S1[†]). Here we report eight new laxaphycin variants, which we call heinamides. The 12-residue heinamides have unique substructures compared to known laxaphycins: OHMePro¹⁰, OH-Aoa (5-hydroxyl β -amino octanoic acid)¹, and *O*-carbamoyl-homoserine⁴ (Table S1[†]). OHMePro is an unusual amino acid in peptides. In cyanobacteria, it has been described in nostopeptins where the hydroxyl group is esterified by the C-terminal carboxyl group to form a macrocyclic peptide structure.³⁹ OHMePro is more common in fungal natural products, such as the clinically used antifungals echinocandins.⁴⁰ The *O*-carbamoyl-homoserine appears to be a very unusual structure, as we did not find other *O*-carbamoyl homoserine-containing peptides or macrocyclic peptides containing *O*-carbamoylated amino acids in the literature. In banyaside A, the *O*-carbamoyl group in glucose showed



	Control	L-Leu	<i>rac</i> -3-OHLeu	(2 <i>S</i> ,4 <i>R</i>)-OHPro	(2 <i>S</i> ,4 <i>S</i>)-OHPro	(2 <i>S</i> ,4 <i>R</i>)-MePro	(2 <i>S</i> ,4 <i>S</i>)-MePro	(2 <i>R</i> ,4 <i>R</i>)-MePro	Subunit in position		
									1	4	10
A1	2,583	2,252	2,657	4,897	4,355	61	56	1,953	Aoa	OHPro	OHPro
A2	1,793	1,503	1,855	70	1,089	30	28	1,147	Aoa	Pro	OHPro
A3	109	77	119	3	34	2	1	70	Aoa	Pro	Pro
A4	0	0	0	0	0	3,493	3,232	3	Aoa	MePro	MePro
A5	1	1	2	1	1	18	80	273	Aoa	MePro	OHPro
B1	1,857	1,744	1,950	2,751	4,882	119	116	708	OH-Aoa	cHse	OHMePro
B2	444	339	386	215	377	45	36	94	OH-Aoa	cHse	Pro
B3	338	286	308	415	561	16	11	157	Aoa	cHse	Pro
B4	199	188	225	544	984	13	1	96	Aoa	cHse	OHMePro
B5	108	120	105	109	167	1,477	1,680	1,176	OH-Aoa	cHse	MePro
B6	36	47	44	49	84	412	434	301	Aoa	cHse	MePro
B7	0	0	0	786	676	0	0	0	OH-Aoa	cHse	OHPro

Fig. 5 Heinamide amounts (sum of single and double protonated and sodiated peak areas) in methanol extracts of cells grown in modified media with added amino acids. Heinamide chemical variants and bars marked with blue and red are novel (B5 considerably increased) variants containing added amino acids.

156.5 ppm carbonyl and 6.45 ppm NH₂ proton signals,⁴¹ which are practically identical with *O*-carbamoyl-homoserine⁴ *O*-carbamoyl signals. The adenylation domain binding pocket AA residue sequences of Hse⁴ (LxaI₁₃) and cHse⁸ (LxaJ₁₁) are identical (DLKNFGSDVK) (Table S12[†]) and we predict that the substrate for both is Hse, and the carbamoylation occurs at a later stage. While 3-amino-octanoic acid is common in laxaphycins, the hydroxylated amino octanoic acid of major heinamide variants is a novelty. Heinamides also include other non-proteinogenic amino acids characteristic to laxaphycins, such as *E*-Dhb³ and (2*S*,4*R*)-4-OHPro^{4,10} in 11-residue variants and OHLeu³ and NMe-Ile⁷ in 12-residue variants. The 3-OHHse⁸ of 12-residue heinamides is structurally identical to 4-hydroxy threonine⁸ of lobocyclamides B and C.³¹ In the light of genetic information on the adenylation domain substrate specificity we decided to refer to it as Hse. We suggest that the reported 4-OHThr⁸ in lobocyclamides also originates from Hse which is 3-hydroxylated. This observation means that hydroxylation in the position-8 amino acid is C-3 specific, as this is the case in all 24 variants of 12-residue laxaphycins described. Heinamides share the strong synergistic antifungal activity of laxaphycins between 11- and 12-residue variants (Fig. 2).

The general organization of laxaphycin biosynthesis for scytocyclamides was described recently.¹⁰ The heinamide biosynthetic gene clusters of *Nostoc* sp. UHCC 0702 and *S. hofmannii* PCC 7110 have a very similar NRPS domain organization (Fig. S16[†]). However, there are several differences in the organization of the genes between the strains (Fig. S16[†]). In *S. hofmannii* PCC 7110, the 11-residue laxaphycin NRPSs *lxaC* and *lxaD* are located before the 12-residue genes *lxaI-L*. In *Nostoc* sp. UHCC 0702, the order is reversed (Fig. S16[†]). There is also a difference in how the modules are organized at the gene level. In 11-residue heinamide NRPSs, all modules are in a single gene *lxaC1*, whereas in *S. hofmannii* PCC 7110 they are in two genes *lxaC* and *lxaD*. In 12-residue laxaphycin NRPSs, the modules are organized differently in the three ORFs as shown in Fig. 3. A rearrangement of genes appears to have occurred with probable gene fusions or fissions with the NRPS genes altering their length. Both *lxa* biosynthetic gene clusters

include the PKS genes *lxaB* and *lxaE*, which are predicted to elongate an initiating hexanoic acid to octanoic acid (Fig. 3). The hexanoic acid was predicted to be loaded by LxaA.¹⁰ LxaA is a two-domain enzyme with a FAAL and an ACP domain. The heinamide biosynthetic gene cluster does not encode a direct LxaA homolog and the biosynthetic gene cluster lacks genes that encode FAAL (Fig. 3). However, a homolog to the ACP part of the LxaA protein is found in the heinamide biosynthetic gene cluster and annotated as LxaA2 (Fig. 3). A matching homolog to the FAAL was found in the genome and is predicted to initiate biosynthesis of heinamides. This homolog was annotated as LxaA1 (Fig. 3, Table 1). A similar situation has been described in biosynthesis of the lipopeptides puwainaphycins, where some gene clusters have a PuwI enzyme with both FAAL and ACP domains initiating biosynthesis and some have separate FAAL (PuwC) and ACP (PuwD) genes responsible for initiation.⁴²

The amino acid feeding experiment demonstrated that the adenylation domains recognizing Pro are not highly specific and accepted all tested 4-MePro stereoisomers (Fig. 5 and Fig. S14[†]). The presence of heinamide B5 suggests that (2*S*,4*R*)-4-MePro was present in the cells without feeding but only in minuscule amounts. The fed 4-MePros were incorporated in the peptides in non-hydroxylated form (Fig. 5), which suggests that none of the 4-MePro is an intermediate in biosynthesis of OHMePro.

The branching of the biosynthetic pathway of *lxa* biosynthetic gene cluster in heinamide and scytocyclamide biosynthesis is unusual.¹⁰ This kind of branching in PKS-NRPS biosynthesis has also been reported with the cyanobacterial natural products vatiamides, where a single PKS cassette has three separate NRPS partner pathways and multiple products.⁴³ This kind of genetic organization could be even more widespread in cyanobacteria and should be considered when identifying new biosynthetic gene clusters. The location of heinamide genes *lxaA1HNOPQR* in relation to the gene cluster is also unusual. Typically, all genes participating in the synthesis of a NRPS/PKS product are located directly in the gene cluster.⁴⁴ However, in this case, the biosynthesis of heina-



mides could not be explained by genes encoded in the *lxa* biosynthetic gene cluster alone. Examples exist of crosstalk between gene clusters located in different parts of genome.⁴⁵ The co-localization of the five OHMePro and (2*S*,4*R*)-4-OHPro tailoring genes *lxaNOPQR* suggests that they have a common function and target in the cell, which assisted in functional prediction. *LxaN* is also found in the *S. hofmannii* PCC 7110 genome, where it is also separated from the core gene cluster. The predictions made here are the most probable explanations for the biosynthesis of the elucidated structures, even when the scattering of the genes through the genome seems unconventional.

The predicted L-Pro hydroxylase activity of *LxaN* was confirmed through heterologous expression of the *lxaN* gene in *E. coli* (Scheme 1, Fig. 4). The enzyme is encoded by both the *Nostoc* sp. UHCC 0702 and *S. hofmannii* PCC 7110 genomes. Hydroxyprolines are important in the pharmaceutical industry and are produced through enzymatic reactions.^{46–49} (2*S*,4*R*)-4-OHPro is used in the production of carbapenem antibiotics^{50,51} and the anti-inflammatory agent oxaceprol.⁵² In human physiology, (2*S*,4*R*)-4-OHPro has a role in increasing collagen stability and has been shown to facilitate collagen biosynthesis in rats⁵³ and is used in skin care products as Pro-(2*S*,4*R*)-4-OHPro dipeptides.⁵⁴ (2*S*,4*R*)-4-OHPro can also be used in production of polymer materials based on polythioesters.⁵⁵ Hydroxylated and methylated proline have been previously described in natural products and specific enzymes have been shown to produce these derivatives.^{46,56,57}

3-Hydroxy-4-methylproline (OHMePro) appears in several antimicrobial compounds, such as echinocandins, and is proposed to potentiate their activity.⁵⁸ *In vitro* synthesis strategies have been developed for the production of OHMePro.⁵⁸ In heinamides, OHMePro is present in variants B1 and B4, which together are the dominant 12-residue heinamides produced by this strain (Fig. 1). We propose that the OHMePro is synthesized by a group of four enzymes *lxaO-R* (Scheme 1). Three of these genes, *lxaO-Q*, are homologs to known cyanobacterial methylproline synthetic enzymes⁵⁹ as in nostopeptolides,⁶⁰ nostocyclopeptides,⁶¹ spumigins,⁶² and pseudoaeruginosins.⁶³ The fourth gene is a putative 2OG-Fe(II)-dependent oxygenase *lxaR*, which 3-hydroxylates one of the methylproline intermediates but not the completed methylproline (Scheme 1). *lxaR* is related to the prolyl and lysyl hydroxylase family of AlkB, EGL-9, and leprecan. This class of enzymes is characterized as hydroxylating oxygenases, with prolyl 3- and 4-hydroxylases.^{64,65} 4-MePro in heinamide B5 may be a byproduct, where *LxaOPQ* have acted without *lxaR*, leaking some 4-MePro to the cell. The biosynthesis of OHMePro in echinocandin variants pneumocandins has been described, where a α -ketoglutarate-FeII dependent enzyme GloF acts hydroxylating OHMePro, using MePro as substrate.^{66–68} The methylproline substrate is synthesized using Leu as starting point like in cyanobacterial MePro biosyntheses.⁶⁷ GloF also hydroxylates Pro to 4-OHPro and 3-OHPro.^{66,68} No homolog to GloF could be found in *Nostoc* sp. UHCC 0702 genome. As we showed in the amino acid feeding experiment MePro is not used as substrate

in OHMePro biosynthesis for laxaphycins, which shows that laxaphycin and pneumocandin OHMePros have different biosynthetic origins. We compared the OHMePro recognizing adenylation domain of *LxaK1₂* to OHMePro adenylation domains in described echinocandin (BGC accession numbers KE145356 and JX421684).^{69,70} Both fungal adenylation domains had substrate binding pocket sequence identical to each other (DNTMITAMSK) with only 30% identity to the *Lxa* binding pocket (DVQFIAHAAK). A low similarity is however expected, as fungal adenylation domains differ from bacterial domains and the same training data is generally not used in the prediction of bacterial and fungal adenylation domain substrate specificities.^{71,72}

The heinamide biosynthetic gene cluster contains three cupin domains (Fig. 3). We predict that two cupins hydroxylate the hydroxylated amino acids in positions 3, 5, and 8 in 12-residue heinamides and scytocyclamides. We predict that the third cupin domain unique for the heinamide cluster hydroxylates Aoa¹, which is not hydroxylated in scytocyclamides.¹⁰ The adenylation domain binding pocket sequences for 3-OH-D-Leu and D-Leu are identical (DAWFLGNVVK) (Table S12†). This suggests that both domains identify the same substrate, and they both are predicted to recognize Leu. Both modules also have an epimerase domain, so stereospecificity does not explain the difference in hydroxylation. From this we conclude that the hydroxylation happens at a later stage. It is possible that the hydroxylation occurs as Leu is bound to the PCP or after the peptide is released. In the reported 12-residue laxaphycins Leu³ is always hydroxylated and Leu⁵ has hydroxylated and non-hydroxylated variants, with the exception of lnyngbyacyclamides and heinamides (Table S1†). We propose, that a single cupin enzyme hydroxylates both leucins on the released peptide, with poorer affinity on Leu⁵. We also suggest that Leu⁵ in heinamides is not hydroxylated because structurally divergent cHse⁴ blocks the enzyme from interacting with the Leu⁵ residue. Although a previous article on laxaphycins predicted that the hydroxylation is performed by cytochrome p450 enzymes,³⁶ we did not find these enzymes in the genomes of *S. hofmannii* PCC7110 or *Nostoc* sp. UHCC 0702. Thr dehydration to Dhb by the condensation domain of the modified AA clade has been shown experimentally in the biosynthesis of albopeptide.⁷³ The condensation domain *LxaC1₃* following the Thr incorporation module was found to belong this clade, as shown in phylogenetic studies^{10,74} (Fig. S13†).

Conclusions

In this study we characterized heinamides, which are new laxaphycin variants with several new modifications that possess antifungal activity, which is synergistic between the 11- and 12-residue compounds. These new laxaphycins broaden the known chemical space of bioactive natural products and provide new insight to potentially useful building blocks in antimicrobial molecules. We also describe the heinamide bio-



synthetic pathway, propose pathways for the amino acid modifications, and show experimentally the function of the proline hydroxylase LxaN. The synthesis of (2*S*,4*R*)-4-OHPro and OHMePro are of interest because their biosynthetic origins have been described in other organisms such as fungi but not in cyanobacteria.

Author contributions

LH, KS, and DF designed the study. AJ, XO, MW, PP, and LH performed the experiments. LH, JJ, and DF analyzed and interpreted the data. LH, DF, JJ, and KS wrote the manuscript, which was corrected, revised, and approved by all authors.

Conflicts of interest

There are no conflicts to declare.

Acknowledgements

This work was supported by a grant awarded to KS from the Jane and Aatos Erkko Foundation and LH was funded during the writing process by the Doctoral School of Environmental, Food and Biological Sciences of University of Helsinki. The authors thank Lyudmila Saari for maintaining the cyanobacterial strains *Nostoc* sp. UHCC 0702 and *Scytonema hofmannii* PCC 7110. *S. hofmannii* PCC 7110 was obtained from The Pasteur Culture Collection of Cyanobacteria.

References

- E. Dittmann, M. Gugger, K. Sivonen and D. P. Fewer, *Trends Microbiol.*, 2015, **23**, 642–652.
- J. Demay, C. Bernard, A. Reinhardt and B. Marie, *Mar. Drugs*, 2019, **17**, 320.
- T. Rodrigues, D. Reker, P. Schneider and G. Schneider, *Nat. Chem.*, 2016, **8**, 531–541.
- E. Kim, B. S. Moore and Y. J. Yoon, *Nat. Chem. Biol.*, 2015, **11**, 649–659.
- M. H. Medema, P. Cimermanic, A. Sali, E. Takano and M. A. Fischbach, *PLoS Comput. Biol.*, 2014, **10**, e1004016.
- L. Bohlin, U. Göransson, C. Alsmark, C. Wedén and A. Backlund, *Phytochem. Rev.*, 2010, **9**, 279–301.
- W. P. Frankmölle, L. K. Larsen, F. R. Caplan, G. M. L. Patterson, G. Knubel, I. A. Levine and R. E. Moore, *J. Antibiot.*, 1992, **45**, 1451–1457.
- W. J. Cai, S. Matthew, Q. Y. Chen, V. J. Paul and H. Luesch, *Bioorg. Med. Chem.*, 2018, **26**, 2310–2319.
- S. W. Luo, H. S. Kang, A. Kronic, W. L. Chen, J. L. Yang, J. L. Woodard, J. R. Fuchs, S. H. Cho, S. G. Franzblau, S. M. Swanson and J. Orjala, *Bioorg. Med. Chem.*, 2015, **23**, 3153–3162.
- L. M. P. Heinilä, D. P. Fewer, J. K. Jokela, M. Wahlsten, A. Jortikka and K. Sivonen, *Front. Microbiol.*, 2020, **11**, 578878.
- P. Sullivan, A. Kronic, J. E. Burdette and J. Orjala, *J. Antibiot.*, 2020, **73**, 526–533.
- N. Maru, O. Ohno and D. Uemura, *Tetrahedron Lett.*, 2010, **51**, 6384–6387.
- G. Buda De Cesare, S. A. Cristy, D. A. Garsin and M. C. Lorenz, *mBio*, 2020, **11**, e02123-20.
- J. A. Hendrickson, C. Hu, S. L. Aitken and N. Beyda, *Curr. Infect. Dis. Rep.*, 2019, **21**, 47.
- W. H. O. WHO, Antifungal drug resistance: The example of invasive Candidiasis, in *Antimicrobial Resistance: Global Report on Surveillance*, WHO Press, Geneva, Switzerland, 2014.
- S.-i. Kajiyama, H. Kanzaki, K. Kawazu and A. Kobayashi, *Tetrahedron Lett.*, 1998, **39**, 3737–3740.
- T. Neuhofer, P. Schmieder, K. Preussel, R. Dieckmann, H. Pham, F. Bartl and H. von Döhren, *J. Nat. Prod.*, 2005, **68**, 695–700.
- G. Trimurtulu, I. Ohtani, G. M. L. Patterson, R. E. Moore, T. H. Corbett, F. A. Valeriote and L. Demchik, *J. Am. Chem. Soc.*, 1994, **116**, 4729–4737.
- T. K. Shishido, A. Humisto, J. Jokela, L. W. Liu, M. Wahlsten, A. Tamrakar, D. P. Fewer, P. Permi, A. P. D. Andreote, M. F. Fiore and K. Sivonen, *Mar. Drugs*, 2015, **13**, 2124–2140.
- J. Jokela, L. M. P. Heinilä, T. K. Shishido, M. Wahlsten, D. P. Fewer, M. F. Fiore, H. Wang, E. Haapaniemi, P. Permi and K. Sivonen, *Front. Microbiol.*, 2017, **8**, 1963.
- C. M. Thiele, K. Petzold and J. Schleucher, *Chem. – Eur. J.*, 2009, **15**, 585–588.
- K. Blin, S. Shaw, K. Steinke, R. Villebro, N. Ziemert, S. Y. Lee, M. H. Medema and T. Weber, *Nucleic Acids Res.*, 2019, **47**, W81–W87.
- K. Blin, T. Wolf, M. G. Chevrette, X. W. Lu, C. J. Schwalen, S. A. Kautsar, H. G. S. Duran, E. Santos, H. U. Kim, M. Nave, J. S. Dickschat, D. A. Mitchell, E. Shelest, R. Breitling, E. Takano, S. Y. Lee, T. Weber and M. H. Medema, *Nucleic Acids Res.*, 2017, **45**, W36–W41.
- N. Ziemert, S. Podell, K. Penn, J. H. Badger, E. Allen and P. R. Jensen, *PLoS One*, 2012, **7**, e34064.
- J. Vestola, T. K. Shishido, J. Jokela, D. P. Fewer, O. Aitio, P. Permi, M. Wahlsten, H. Wang, L. Rouhiainen and K. Sivonen, *Proc. Natl. Acad. Sci. U. S. A.*, 2014, **111**, E1909.
- J. Mareš, J. Hajek, P. Urajova, J. Kopecky and P. Hrouzek, *PLoS One*, 2014, **9**, e111904.
- W. P. Frankmölle, G. Knubel, R. E. Moore and G. M. L. Patterson, *J. Antibiot.*, 1992, **45**, 1458–1466.
- L. Bornancin, E. Alonso, R. Alvarino, N. Inguibert, I. Bonnard, L. M. Botana and B. Banaigs, *Bioorg. Med. Chem.*, 2019, **27**, 1966–1980.
- I. Bonnard, M. Rolland, C. Francisco and B. Banaigs, *Lett. Pept. Sci.*, 1997, **4**, 289–292.
- W. H. Gerwick, Z. D. Jiang, S. K. Agarwal and B. T. Farmer, *Tetrahedron*, 1992, **48**, 2313–2324.



- 31 J. B. MacMillan, M. A. Ernst-Russell, J. S. de Ropp and T. F. Molinski, *J. Org. Chem.*, 2002, **67**, 8210–8215.
- 32 J. C. Grewe, dissertation/doctoral thesis, Albert-Ludwigs-Universität Freiburg im Breisgau, 2005.
- 33 I. Bonnard, M. Rolland, J. M. Salmon, E. Debiton, C. Barthomeuf and B. Banaigs, *J. Med. Chem.*, 2007, **50**, 1266–1279.
- 34 F. Boyaud, Z. Mahiout, C. Lenoir, S. Tang, J. Wdzieczak-Bakala, A. Witczak, I. Bonnard, B. Banaigs, T. Ye and N. Inguibert, *Org. Lett.*, 2013, **15**, 3898–3901.
- 35 M. Gaillard, S. Das, M. Djibo, D. Raviglione, C. Roumestand, B. Legrand and N. Inguibert, *Tetrahedron Lett.*, 2018, **59**, 3713–3718.
- 36 L. Bornancin, F. Boyaud, Z. Mahiout, I. Bonnard, S. C. Mills, B. Banaigs and N. Inguibert, *Mar. Drugs*, 2015, **13**, 7285–7300.
- 37 R. Alvarino, E. Alonso, L. Bornancin, I. Bonnard, N. Inguibert, B. Banaigs and L. M. Botana, *Mar. Drugs*, 2020, **18**, 364.
- 38 S. W. Luo, A. Kronic, H. S. Kang, W. L. Chen, J. L. Woodard, J. R. Fuchs, S. M. Swanson and J. Orjala, *J. Nat. Prod.*, 2014, **77**, 1871–1880.
- 39 T. Okino, S. Qi, H. Matsuda, M. Murakami and K. Yamaguchi, *J. Nat. Prod.*, 1997, **60**, 158–161.
- 40 Q. Yue, L. Chen, X. Zhang, K. Li, J. Sun, X. Liu, Z. An and G. F. Bills, *Eukaryotic Cell*, 2015, **14**, 698–718.
- 41 A. Pluotno and S. Carmeli, *Tetrahedron*, 2005, **61**, 575–583.
- 42 J. Mareš, J. Hájek, P. Urajová, A. Kust, J. Jokela, K. Saurav, T. Galica, K. Čapková, A. Mattila, E. Haapaniemi, P. Permi, I. Mysterud, O. M. Skulberg, J. Karlsen, D. P. Fewer, K. Sivonen, H. H. Tønnesen and P. Hrouzek, *Appl. Environ. Microbiol.*, 2019, **85**, e02675-18.
- 43 N. A. Moss, G. Seiler, T. F. Leão, G. Castro-Falcón, L. Gerwick, C. C. Hughes and W. H. Gerwick, *Angew. Chem., Int. Ed.*, 2019, **58**, 9027–9031.
- 44 B. Baral, A. Akhgari and M. Metsä-Ketelä, *Synth. Syst. Biotechnol.*, 2018, **3**, 163–178.
- 45 O. Lazos, M. Tosin, A. L. Slusarczyk, S. Boakes, J. Cortés, P. J. Sidebottom and P. F. Leadlay, *Chem. Biol.*, 2010, **17**, 160–173.
- 46 H.-L. Zhang, C. Zhang, C.-H. Pei, M.-N. Han, Z.-D. Xu, C.-H. Li and W. Li, *Lett. Appl. Microbiol.*, 2018, **66**, 400–408.
- 47 T. M. H. Bach and H. Takagi, *Appl. Microbiol. Biotechnol.*, 2013, **97**, 6623–6634.
- 48 P. Remuzon, *Tetrahedron*, 1996, **52**, 13803–13835.
- 49 R. Hara and K. Kino, *Appl. Microbiol. Biotechnol.*, 2020, **104**, 4771–4779.
- 50 J. M. Williams, K. M. J. Brands, R. T. Skerlj, R. B. Jobson, G. Marchesini, K. M. Conrad, B. Pipik, K. A. Savary, F.-R. Tsay, P. G. Houghton, D. R. Sidler, U.-H. Dolling, L. M. DiMichele and T. J. Novak, *J. Org. Chem.*, 2005, **70**, 7479–7487.
- 51 J. D. Armstrong, J. L. Keller, J. Lynch, T. Liu, F. W. Hartner, N. Ohtake, S. Okada, Y. Imai, O. Okamoto, R. Ushijima, S. Nakagawa and R. P. Volante, *Tetrahedron Lett.*, 1997, **38**, 3203–3206.
- 52 M. Ionac, M. J. Parnham, M. Plauchithiu and K. Brune, *Pharmacol. Res.*, 1996, **33**, 367–373.
- 53 M. Aoki, K. Suto, M. Komatsu, A. Kamimura, K. Morishita, M. Yamasaki and T. Takao, *Biosci. Biotechnol. Biochem.*, 2012, **76**, 1242–1244.
- 54 H. Ohara, S. Ichikawa, H. Matsumoto, M. Akiyama, N. Fujimoto, T. Kobayashi and S. Tajima, *J. Dermatol.*, 2010, **37**, 330–338.
- 55 J. Yuan, W. Xiong, X. Zhou, Y. Zhang, D. Shi, Z. Li and H. Lu, *J. Am. Chem. Soc.*, 2019, **141**, 4928–4935.
- 56 H. Luesch, D. Hoffmann, J. M. Hevel, J. E. Becker, T. Golakoti and R. E. Moore, *J. Org. Chem.*, 2003, **68**, 83–91.
- 57 P. Lukat, Y. Katsuyama, S. Wenzel, T. Binz, C. Koenig, W. Blankenfeldt, M. Broenstrup and R. Mueller, *Chem. Sci.*, 2017, **8**, 7521–7527.
- 58 D. K. Mohapatra, D. Mondal, M. S. Chorghade and M. K. Gurjar, *Tetrahedron Lett.*, 2006, **47**, 9215–9219.
- 59 M. Hibi, T. Kawashima, P. M. Sokolov, S. V. Smirnov, T. Kodera, M. Sugiyama, S. Shimizu, K. Yokozeki and J. Ogawa, *Appl. Microbiol. Biotechnol.*, 2013, **97**, 2467–2472.
- 60 D. Hoffmann, J. M. Hevel, R. E. Moore and B. S. Moore, *Gene*, 2003, **311**, 171–180.
- 61 J. E. Becker, R. E. Moore and B. S. Moore, *Gene*, 2004, **325**, 35–42.
- 62 D. P. Fewer, J. Jokela, L. Rouhiainen, M. Wahlsten, K. Koskeniemi, L. J. Stal and K. Sivonen, *Mol. Microbiol.*, 2009, **73**, 924–937.
- 63 L. Liu, A. Budnjo, J. Jokela, B. E. Haug, D. P. Fewer, M. Wahlsten, L. Rouhiainen, P. Permi, T. Fossen and K. Sivonen, *ACS Chem. Biol.*, 2015, **10**, 725–733.
- 64 W. G. Kaelin, *Annu. Rev. Biochem.*, 2005, **74**, 115–128.
- 65 J. A. Vranka, L. Y. Sakai and H. P. Bächinger, *J. Biol. Chem.*, 2004, **279**, 23615–23621.
- 66 S. Houwaart, L. Youssar and W. Huttel, *ChemBioChem*, 2014, **15**, 2365–2369.
- 67 L. Chen, Q. Yue, Y. Li, X. Niu, M. Xiang, W. Wang, G. F. Bills, X. Liu and Z. An, *Appl. Environ. Microbiol.*, 2015, **81**, 1550–1558.
- 68 Y. Li, L. Chen, Q. Yue, X. Liu, Z. An and G. F. Bills, *ACS Chem. Biol.*, 2015, **10**, 1702–1710.
- 69 L. Chen, Q. Yue, X. Zhang, M. Xiang, C. Wang, S. Li, Y. Che, F. J. Ortiz-López, G. F. Bills, X. Liu and Z. An, *BMC Genomics*, 2013, **14**, 339.
- 70 R. A. Cacho, W. Jiang, Y.-H. Chooi, C. T. Walsh and Y. Tang, *J. Am. Chem. Soc.*, 2012, **134**, 16781–16790.
- 71 M. Röttig, M. H. Medema, K. Blin, T. Weber, C. Rausch and O. Kohlbacher, *Nucleic Acids Res.*, 2011, **39**, W362–W367.
- 72 D. Baranašić, J. Zucko, J. Diminic, R. Gacesa, P. F. Long, J. Cullum, D. Hranueli and A. Starcevic, *J. Ind. Microbiol. Biotechnol.*, 2014, **41**, 461–467.
- 73 S. Wang, Q. Fang, Z. Lu, Y. Gao, L. Trembleau, R. Ebel, J. H. Andersen, C. Phillips, S. Law and H. Deng, *Angew. Chem., Int. Ed.*, 2021, **60**, 3229–3237.
- 74 D. Tillett, E. Dittmann, M. Erhard, H. von Dohren, T. Borner and B. A. Neilan, *Chem. Biol.*, 2000, **7**, 753–764.

